

HELIOS B²

Fixing in the purlin



ATec



Single skin metal roofs



Sandwich Panels



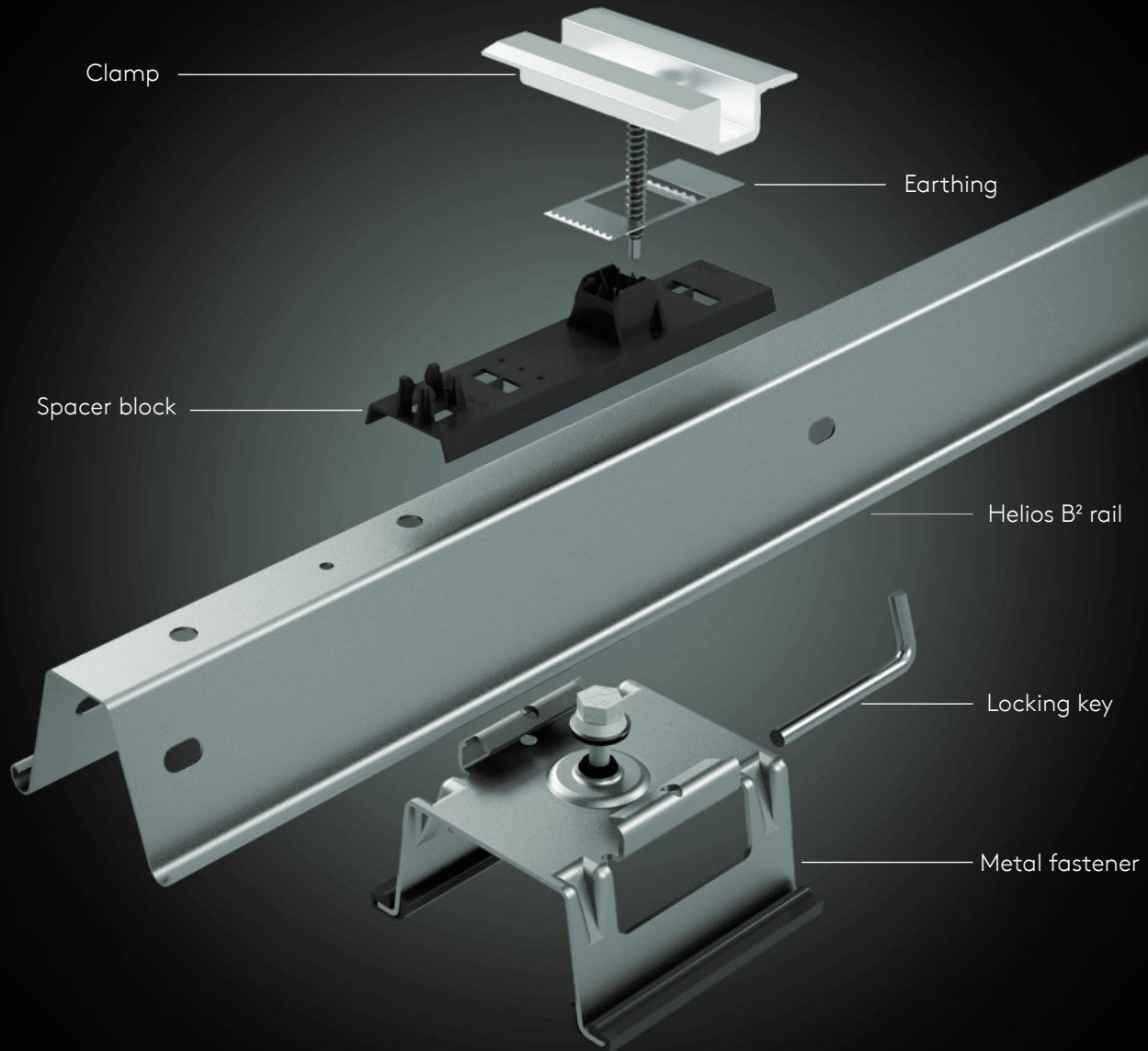
Landscape Orientation



Low-carbon green steel



Green List C2P



THE ADVANTAGES OF THE HELIOS B² SYSTEM.

- Fastening only in the purlin without drilling the roof metal sheet.
- Custom cut to measure rails to the width of the PV module for quick installation.
- Large ventilation space under the module (92 mm air gap).



Contact Details

FR

Dome Solar

3 rue Marie Anderson | 44400 REZÉ

T: +33 (0)2 40 67 92 92

E: info@dome-solar.com

www.dome-solar.com/en/

For individual department contact details please visit

www.dome-solar.com/en/contact



Dome Solar reserves the right to amend product specifications without prior notice. Product thicknesses shown in this document should not be taken as being available ex-stock and reference should be made to the current Dome Solar price-list or advice sought from Dome Solar's Customer Service Department. The information, technical details, and fixing instructions. Included in this literature are given in good faith and apply to uses described. Recommendations for use should be verified for suitability and compliance with actual requirements, specifications, and any applicable laws and regulations. For other applications or conditions of use, Dome Solar offers a Technical Advisory Service, the advice of which should be sought for uses of Dome Solar products that are not specifically described herein.

To ensure you have the most up-to-date and accurate product information, please scan the QR code above.

DOMESOLAR Photovoltaic Solutions 3 rue Marie Anderson – 44400 Rezé (Nantes) – France
S.A.S. DOMESOLAR with a capital of 500 000 Euros – APE 2599B – R.C.S. Nantes 509 182 309 –
N° TVA FR5750918230

