

# S360M

Fixing in the purlin



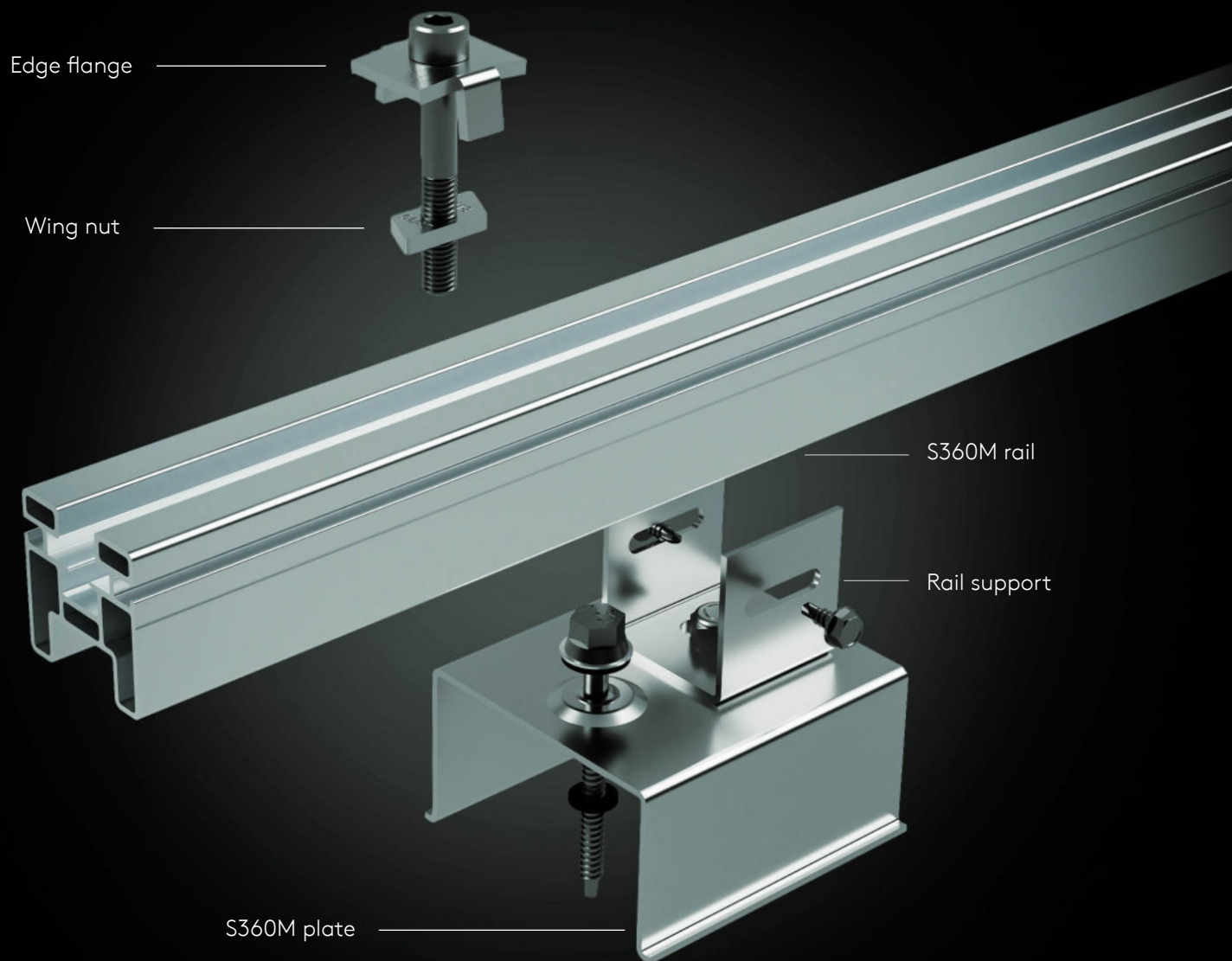
ETN



Single skin  
metal roofs



Landscape  
Orientation



## THE ADVANTAGES OF THE S360M SYSTEM.

- Ideal for custom projects: adapts to all geometries of metal roof decks.
- Robust: stainless steel and aluminum allow installation in coastal areas.



---

# Contact Details

---

FR

**Dome Solar**

3 rue Marie Anderson | 44400 REZÉ

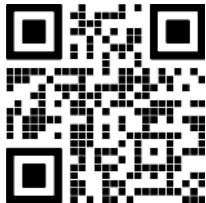
T: +33 (0)2 40 67 92 92

E: [info@dome-solar.com](mailto:info@dome-solar.com)

[www.dome-solar.com/en/](http://www.dome-solar.com/en/)

For individual department contact details please visit

[www.dome-solar.com/en/contact](http://www.dome-solar.com/en/contact)



Dome Solar reserves the right to amend product specifications without prior notice. Product thicknesses shown in this document should not be taken as being available ex-stock and reference should be made to the current Dome Solar price-list or advice sought from Dome Solar's Customer Service Department. The information, technical details, and fixing instructions. Included in this literature are given in good faith and apply to uses described. Recommendations for use should be verified for suitability and compliance with actual requirements, specifications, and any applicable laws and regulations. For other applications or conditions of use, Dome Solar offers a Technical Advisory Service, the advice of which should be sought for uses of Dome Solar products that are not specifically described herein.

To ensure you have the most up-to-date and accurate product information, please scan the QR code above.

DOMESOLAR Photovoltaic Solutions 3 rue Marie Anderson – 44400 Rezé (Nantes) – France  
S.A.S. DOMESOLAR with a capital of 500 000 Euros – APE 2599B – R.C.S. Nantes 509 182 309 –  
N° TVA FR5750918230

