





OUR FLAT ROOFS MOUNTINGS

WELDED WATERPROOFING RAIL

TYPE OF WATERPROOFING /

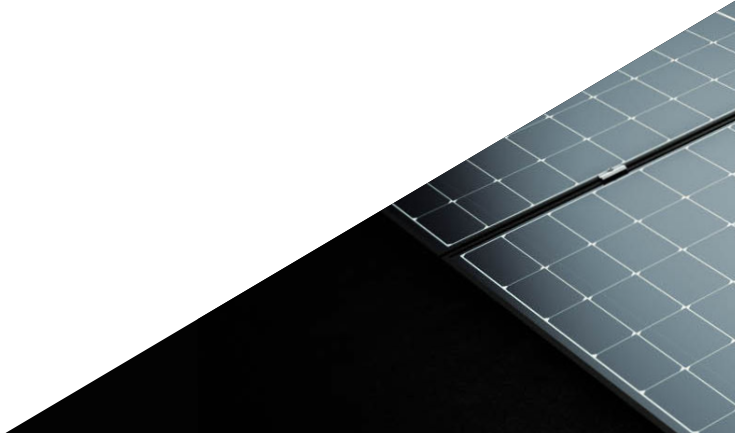
BITUMEN 	PVC 	TPO 
---	--	---

OUR RAILS WITH PRE-MOUNTED WATERPROOFING STRIPS /

BENEFITS



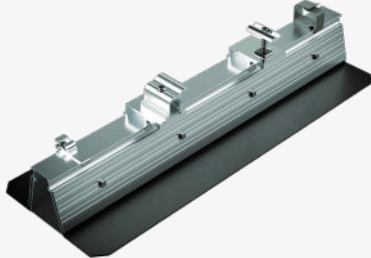
- All types of buildings: buildings subject to biodiversity laws, logistics platforms, commercial, and residential buildings.
- No waterproofing penetration.
- Easy installation.
- Lightweight system.
- Panels can be tilted up to 10°.
- Significant air gaps beneath the modules.
- Easy disassembly without damaging the membrane.
- Corrosion-resistant materials.

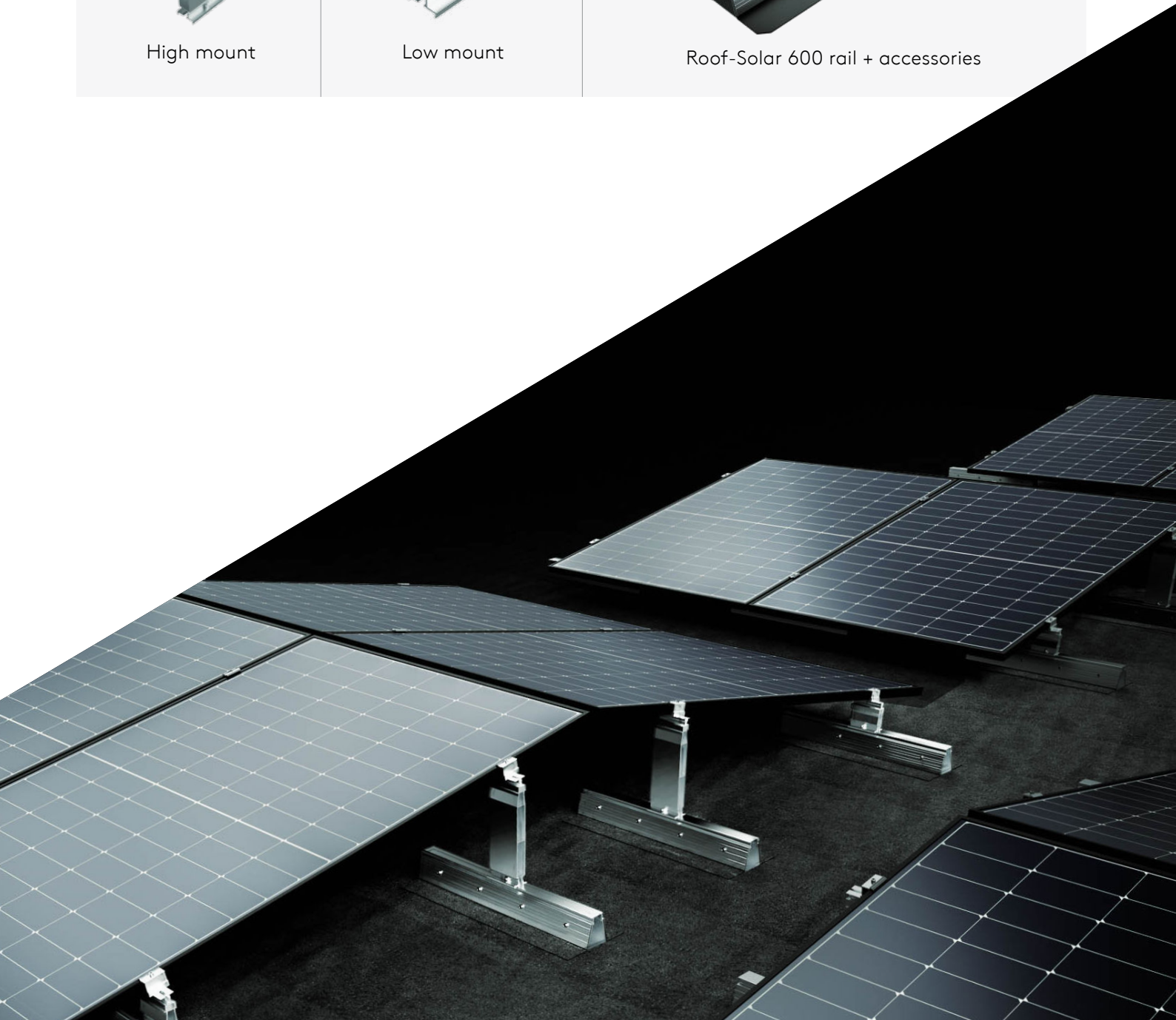
ATec		ETN
 <p>Roof-Solar BITUMEN flat and tilted TAN DTU</p>	 <p>Roof-Solar PVC flat and tilted TAN DTU</p>	 <p>Roof-Solar TPO flat and tilted TAN DTU</p>
ATEx		
 <p>Roof-Solar BITUMEN TAN GP</p>		





MOUNTS /

TILTED		FLAT
		
High mount	Low mount	Roof-Solar 600 rail + accessories





ZOOM ON THE COMPLEX COMPONENTS

ROOF-SOLAR BITUMEN/PVC/TPO/EVALON

1 LOAD-BEARING ELEMENT RIBBED STEEL SHEETS

2 INSULATION PANELS CLASS C COMPRESSION

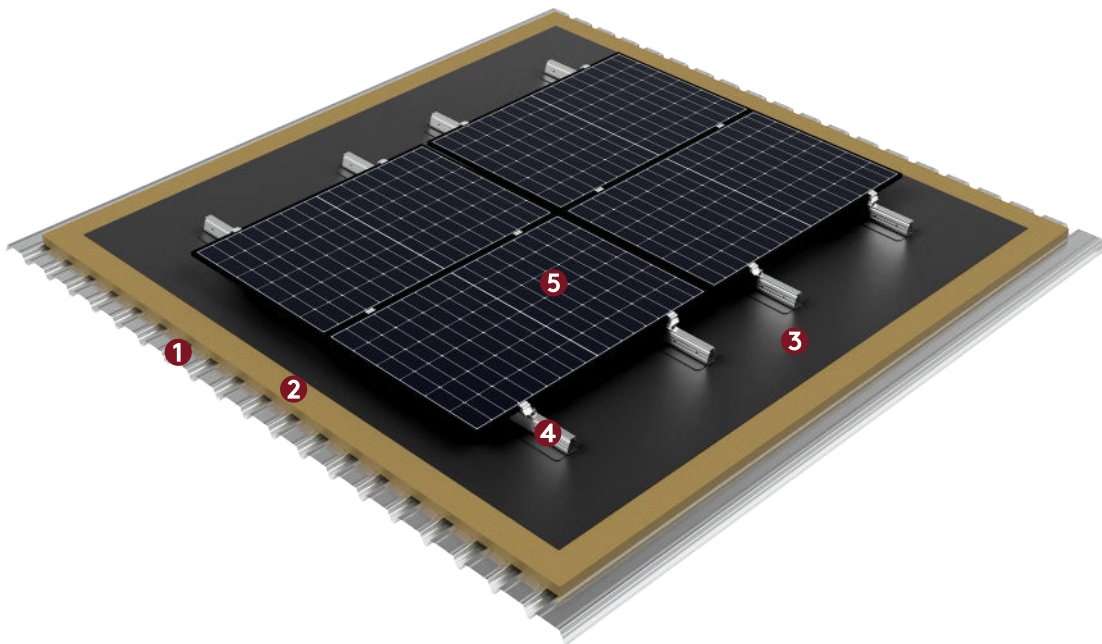
3 WATERPROOFING MEMBRANE

4 ROOF-SOLAR SYSTEM

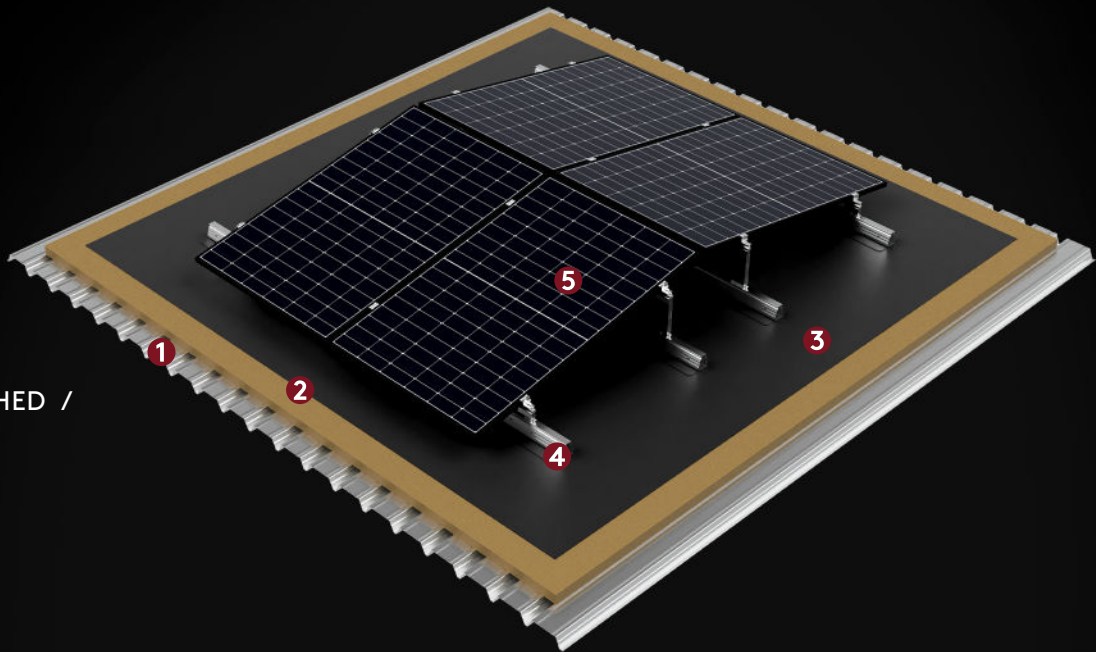
- ROOF-SOLAR BITUMEN flat or tilted double/simple shed
- ROOF-SOLAR PVC flat or tilted double/simple shed
- ROOF-SOLAR TPO flat or tilted double/simple shed

5 REFERENCED PHOTOVOLTAIC MODULE

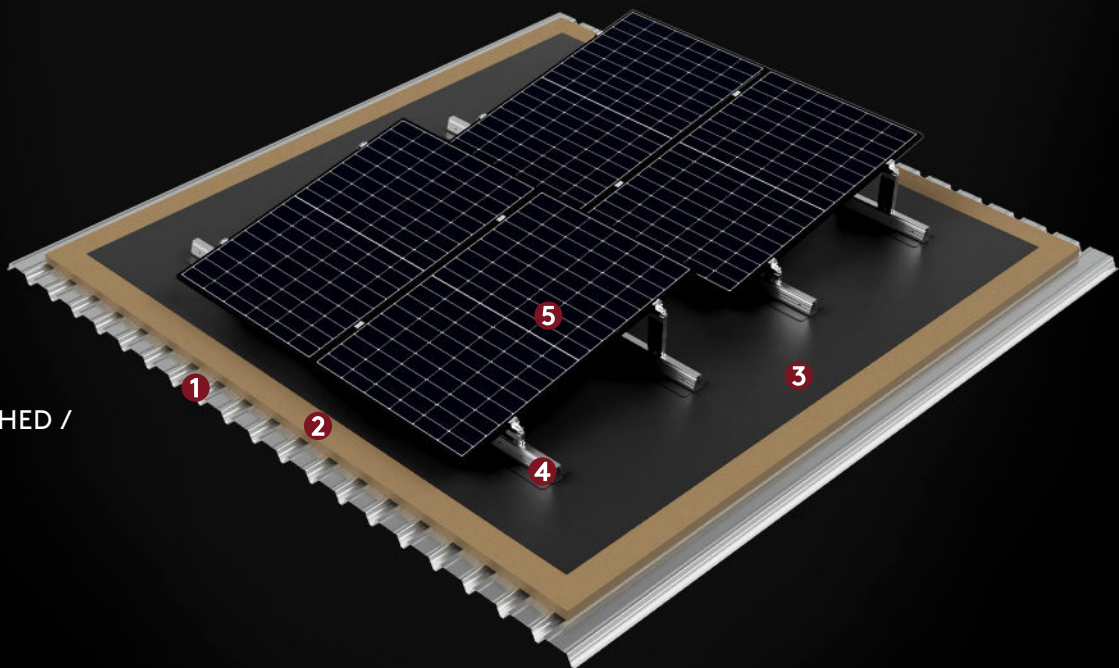
FLAT /



TILTED
DOUBLE SHED /



TILTED
SIMPLE SHED /



Contact Details

FR

Dome Solar

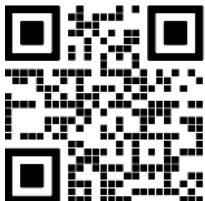
3 rue Marie Anderson | 44400 REZÉ

T: +33 (0)2 40 67 92 92

E: info@dome-solar.com

www.dome-solar.com/en/

For individual department contact details please visit
www.dome-solar.com/en/contact



Dome Solar reserves the right to amend product specifications without prior notice. Product thicknesses shown in this document should not be taken as being available ex-stock and reference should be made to the current Dome Solar price-list or advice sought from Dome Solar's Customer Service Department. The information, technical details, and fixing instructions. Included in this literature are given in good faith and apply to uses described. Recommendations for use should be verified for suitability and compliance with actual requirements, specifications, and any applicable laws and regulations. For other applications or conditions of use, Dome Solar offers a Technical Advisory Service, the advice of which should be sought for uses of Dome Solar products that are not specifically described herein.

To ensure you have the most up-to-date and accurate product information, please scan the QR code above.

DOMESOLAR Photovoltaic Solutions 3 rue Marie Anderson – 44400 Rezé (Nantes) – France
S.A.S. DOME SOLAR with a capital of 500 000 Euros – APE 2599B – R.C.S. Nantes 509 182 309 –
N° TVA FR5750918230

