



ETN

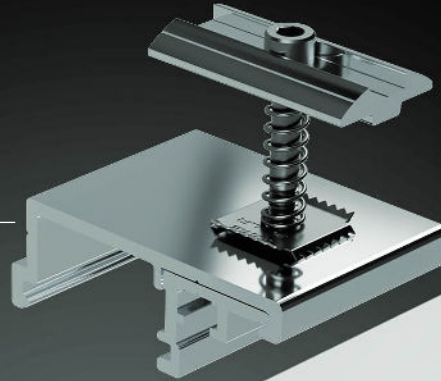


Fiber-cement  
sheets



Landscape  
orientation

Universal fastener



Fibro-Solar rail

Fibro-Solar rail support



## THE ADVANTAGES OF THE FIBRO-SOLAR SYSTEM.

- Adaptable to fiber-cement sheets or tile support sheets.
- Corrosion resistant.
- Rails are bonded together and clipped onto the support.



---

# Contact Details

---

FR

**Dome Solar**

3 rue Marie Anderson | 44400 REZÉ

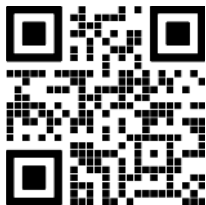
T: +33 (0)2 40 67 92 92

E: [info@dome-solar.com](mailto:info@dome-solar.com)

[www.dome-solar.com/en/](http://www.dome-solar.com/en/)

For individual department contact details please visit

[www.dome-solar.com/en/contact](http://www.dome-solar.com/en/contact)



Dome Solar reserves the right to amend product specifications without prior notice. Product thicknesses shown in this document should not be taken as being available ex-stock and reference should be made to the current Dome Solar price-list or advice sought from Dome Solar's Customer Service Department. The information, technical details, and fixing instructions. Included in this literature are given in good faith and apply to uses described. Recommendations for use should be verified for suitability and compliance with actual requirements, specifications, and any applicable laws and regulations. For other applications or conditions of use, Dome Solar offers a Technical Advisory Service, the advice of which should be sought for uses of Dome Solar products that are not specifically described herein.

To ensure you have the most up-to-date and accurate product information, please scan the QR code above.

DOME SOLAR Photovoltaic Solutions 3 rue Marie Anderson – 44400 Rezé (Nantes) – France  
S.A.S. DOME SOLAR with a capital of 500 000 Euros – APE 2599B – R.C.S. Nantes 509 182 309 –  
N° TVA FR5750918230

